

Logis

3-hole basin mixer 150 with pop-up waste set

Finish: **Chrome** Article Number: **71133000**



Description

product features

- consists of: 3-hole basin mixer, waste set
- ComfortZone 150
- projection: 109 mm
- spout height: 153 mm
- maximum flow rate at 3 bar: 5 l/min
- ceramic valves hot/cold 90°
- suitable for continuous flow water heaters
- pop-up waste set G 1¼
- material waste set: synthetic
- connection type: G ¾ connections
- connection dimension: DN15

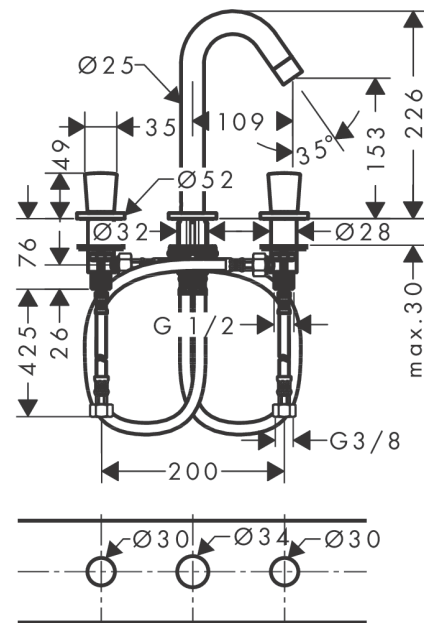
Technology



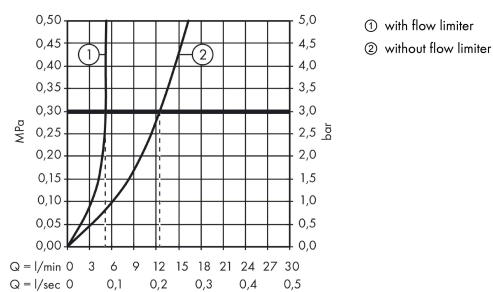
Product image



Scale drawing



Flowchart



Logis

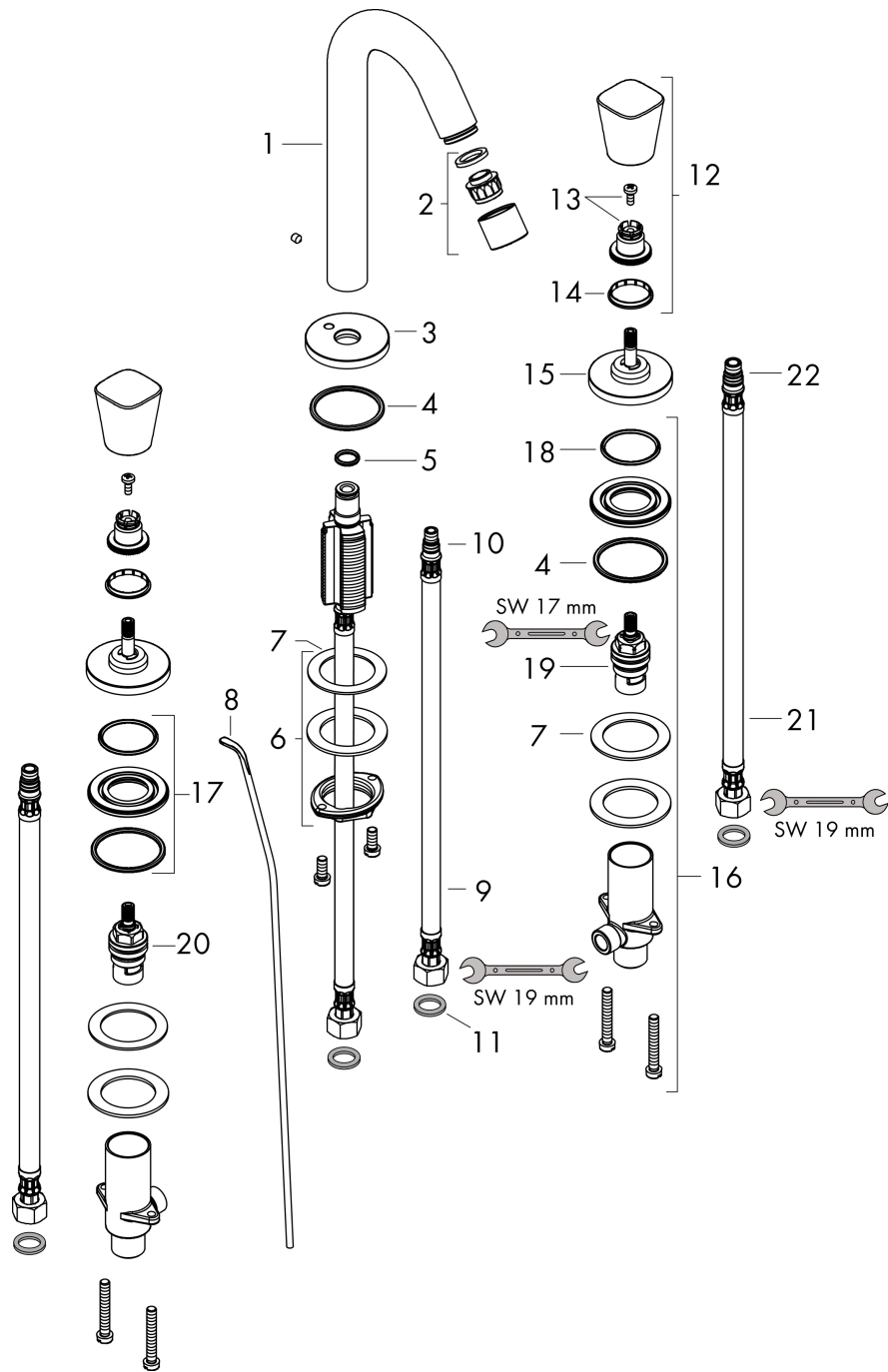
3-hole basin mixer 150 with pop-up waste set

Finish: **Chrome** Article Number: **71133000**



Exploded Drawing

Year of production: >01/15



Logis**3-hole basin mixer 150 with pop-up waste set**Finish: **Chrome** Article Number: **71133000****Spare part list**

Year of production: >01/15

Pos.	Description	Article Number	Price	PU
1	spout cpl.	95339000	€ 88,54	1
2	aerator M22x1 (5 l/min)	92376000	€ 45,82	1
3	escutcheon for spout	97505000	€ 58,67	1
4	O-ring 40x3	92634000	€ 3,33	1
5	O-ring 11x2	98127000	€ 3,33	1
6	fixing set (Ø 32)	13961000	€ 22,97	1
7	lever collar	97548000	€ 3,33	1
8	pull rod	96657000	€ 11,66	1
9	connection hose 450 mm M8x0,75 G3/8	97206000	€ 28,92	1
10	O-ring 7x1,5	98422000	€ 3,33	1
11	sealing set	95581000	€ 5,36	1
12	handle	92221000	€ 45,82	1
13	handle fixing set	94184000	€ 5,36	1
14	set of color-rings cold / hot water	92225000	€ 5,36	1
15	escutcheon Ø 52 mm	97285000	€ 45,82	1
16	stop valve cpl.	97357000	€ 128,28	1
17	nut	92854000	€ 18,80	1
18	O-Ring 32x2,5	96364000	€ 22,97	1
19	shut off unit left closing	96765000	€ 45,82	1
20	shut off unit right closing	96766000	€ 45,82	1
21	connection hose 450 mm M10x1 G3/8	96507000	€ 36,89	1
22	O-ring 8x1,75	97827000	€ 3,33	1
a	pop up waste	92168000	€ 36,89	1
b	fixation extension 35 mm	13898000	€ 72,47	1