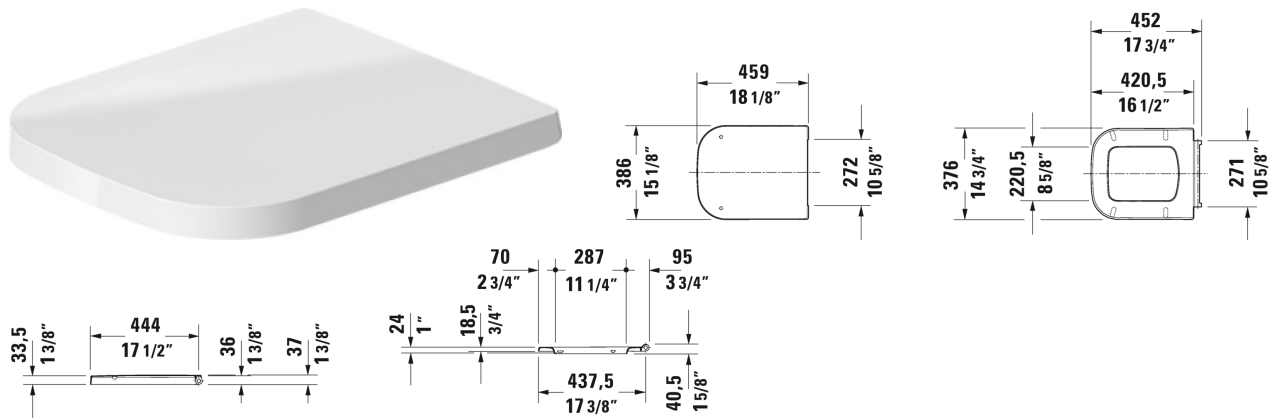


P3 Comforts Toilet seat and cover # 0020390000



Toilet seat and cover	Dimension	Weight	Order number
hinges stainless steel, removable, with slow close			
Colors			
00 White			
Variant			
		4.9 lb	0020390000
Suitable products			
Toilet wall-mounted Duravit Rimless® rimless, washdown model, Durafix included, cUPC® listed*, 15" x 22 1/2" Inch	15" x 22 1/2" Inch		256109

All drawings contain the necessary measurements which are subject to standard tolerances. They are stated in inch & mm and are non-binding. Exact measurements, in particular for customized installation scenarios, can only be taken from the finished ceramic piece.