



see what Delta can do™

SOAP DISPENSER

■ Traditional / Transitional / Contemporary / Design

FEATURES:

- Touch₂O.xt™ Technology

STANDARD SPECIFICATIONS:

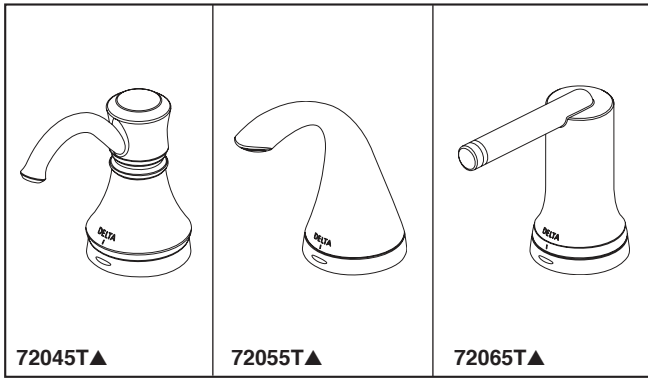
- For use with non-foaming hand soaps, dish soaps, and hand sanitizer
- 13 ounce bottle
- Refillable from above the deck
- Includes RP30395 refill funnel
- ON/OFF feature turns the soap dispenser off by rotating the spout to the left or right
- Delta Touch₂O.xt™ Technology offers both touch and proximity sensing technology to activate
- ON/OFF indicator light will flash blue with proximity activation and stay solid blue for touch activation
- ON/OFF indicator light will signal red when batteries are low
- Uses 6 AA batteries (included) or 6 C batteries (not included)
- Amount of soap dispensed can be programmed
- Not suitable for commercial applications

WARRANTY

- Parts and Finish - Lifetime limited warranty; or for commercial purchasers, 10 years for multi-family residential (apartments and condominiums) and 5 years for all other commercial uses, in each case from the date of purchase.
- Electronic Parts and Batteries (if applicable) - 5 years from the date of purchase; or for commercial purchasers, 1 year from the date of purchase. No warranty is provided on batteries.

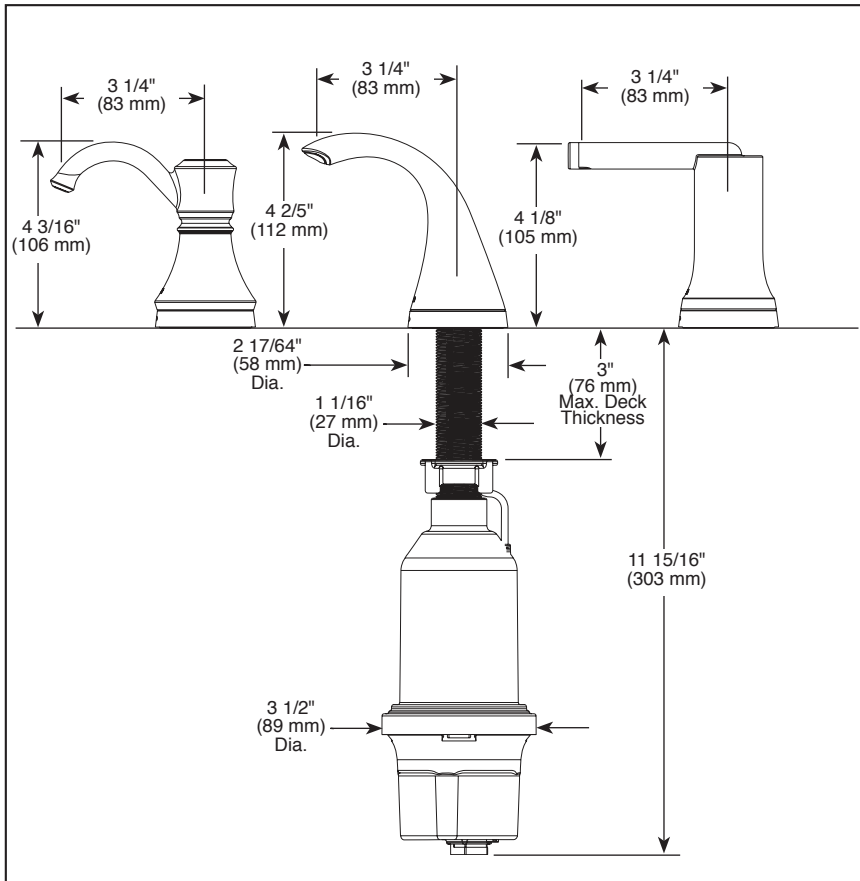
COMPLIES WITH:

Indicates compliance to ICC/ANSI A117.1



Submitted Model No.: _____

Specific Features: _____



▲ Designate Proper Finish Suffix

Delta reserves the right (1) to make changes in specifications and materials, and (2) to change or discontinue models, both without notice or obligation. Dimensions are for reference only. See current full-line price book or www.deltafaucet.com for finish options and product availability.

DSP-K-72045T Rev. E

Delta Faucet Company
55 E. 111th Street, Indianapolis, IN 46280
350 South Edgeware Road, St. Thomas, ON N5P 4L1
© 2019 Delta Faucet Company