



**Model 250-15 — Surface-Mounted  
Bradex®**

- C-Fold/Multi-Fold Towels
- Tumbler Lock

**Product Materials**

**UNIT:** 22 gauge stainless steel with exposed surfaces in architectural satin finish. Smooth corners, free of burrs and sharp edges. Tumbler lock keyed like other Bradley units. Cabinet hinged at bottom to allow easy filling. Refill indicator slot on face of cabinet. Rolled edge on dispenser opening.

**Capacity**

525 multi-fold or 400 C-fold paper towels.

**Operation**

Unit holds multi-fold or C-fold towels without use of special adapter.

**Installation**

Verify all rough-in dimensions prior to installation. Secure to wall with mounting screws (not included) at holes provided. Mounting kit (#899-027) available through Bradley. Visit [bradleycorp.com](http://bradleycorp.com) for more information. Provide in-wall backing at mounting screw locations.

**Guide Specification**

Surface-mounted towel dispenser shall be fabricated of type heavy duty, 22 gauge stainless steel with exposed surfaces in satin finish. Refill indicator on face of cabinet. Tumbler lock to secure hinged front panel. Towel dispenser capacity 525 multi-fold or 400 C-fold towels.

**Overall dimensions: 11"W x 15<sup>5</sup>/<sub>16</sub>"H x 4"D.**

**ADA Compliant**

- Consult local and national accessibility codes for proper installation guidelines.
- Conformity and compliance to local and national codes is the responsibility of the installer.



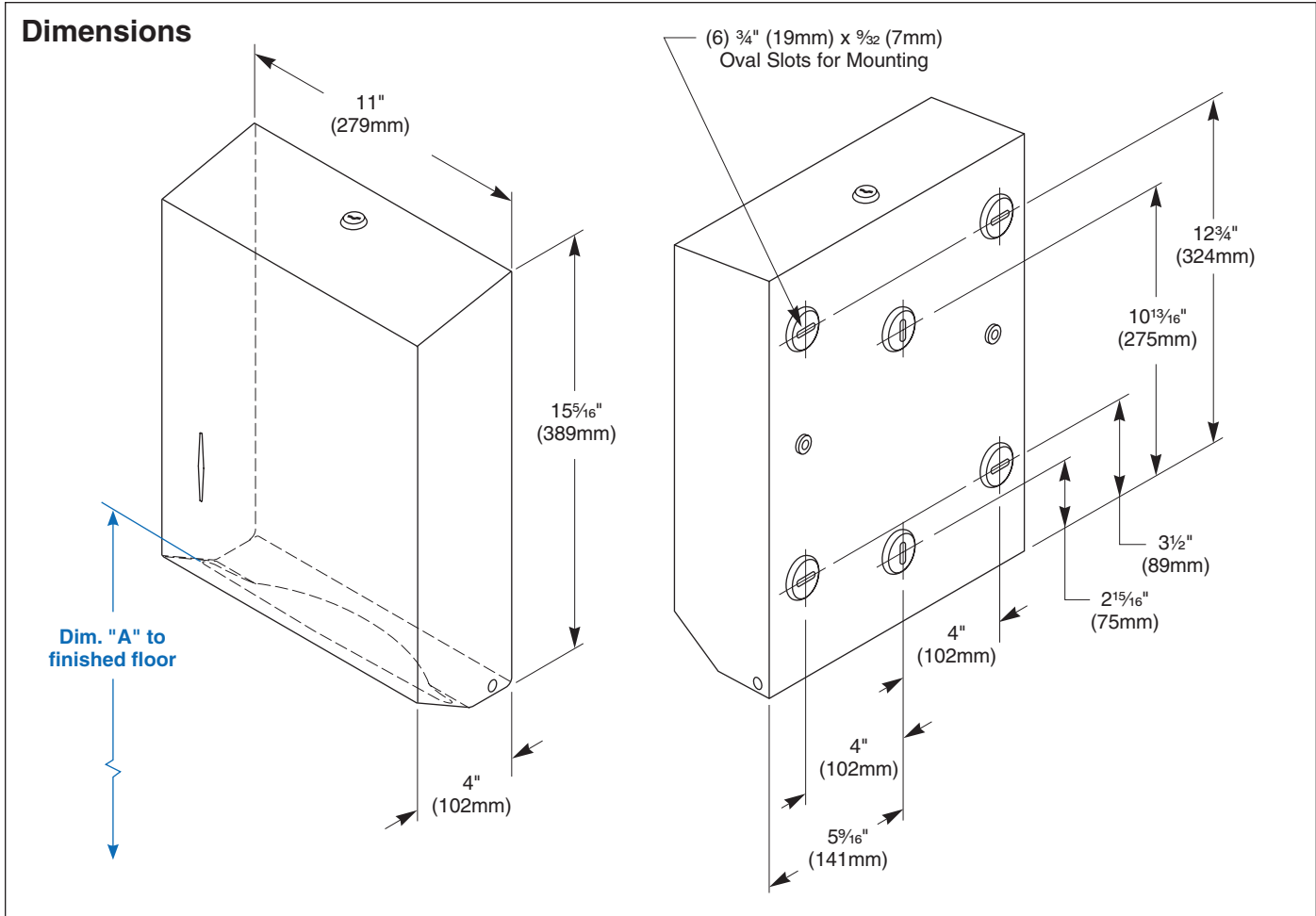
**Optional Features**

Feature	Suffix
<input type="checkbox"/> Polished Stainless Steel	-78

Orders composed of products indicated as **Bradex®** will be available to ship in three days after receipt of order at the factory. There is no pricing penalty for this service from Bradley.

Page 1 of 2  
5/27/2011  
This information is subject to change without notice.  
Bradley\_Dispenser\_250-15

© 2014 Bradley  
P.O. Box 309, Menomonee Falls, WI 53052-0309  
800 BRADLEY (800 272 3539) +1 262 251 6000  
[bradleycorp.com](http://bradleycorp.com)



Dim. "A" Key Surface:	For Dim. "A"	Top of Rough Wall Opening	Bottom of Rough Wall Opening
Paper towel top of opening to finished floor	48" (1219mm)	62 1/2" (1588mm)	47 3/16" (1199mm)
	45" (1143mm)	59 1/2" (1511mm)	44 3/16" (1122mm)
	42" (1067mm)	56 1/2" (1435mm)	41 3/16" (1046mm)
	40" (1016mm)	54 1/2" (1384mm)	39 3/16" (995mm)
<b>Rough wall opening:</b>			
Surface Mount:	No rough opening, see overall dimensions		

Orders composed of products indicated as **Bradex**® will be available to ship in three days after receipt of order at the factory. There is no pricing penalty for this service from Bradley.

Page 2 of 2  
5/27/2011  
This information is subject to change without notice.  
Bradley\_Dispenser\_250-15

© 2014 Bradley  
P.O. Box 309, Menomonee Falls, WI 53052-0309  
800 BRADLEY (800 272 3539) +1 262 251 6000  
bradleycorp.com