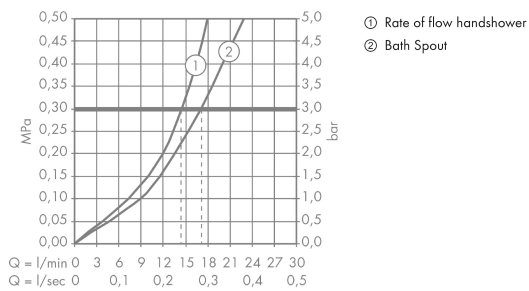




**AXOR Massaud**  
**Single lever bath mixer floor-standing**  
 Surfaces: Article Number: **18450000**



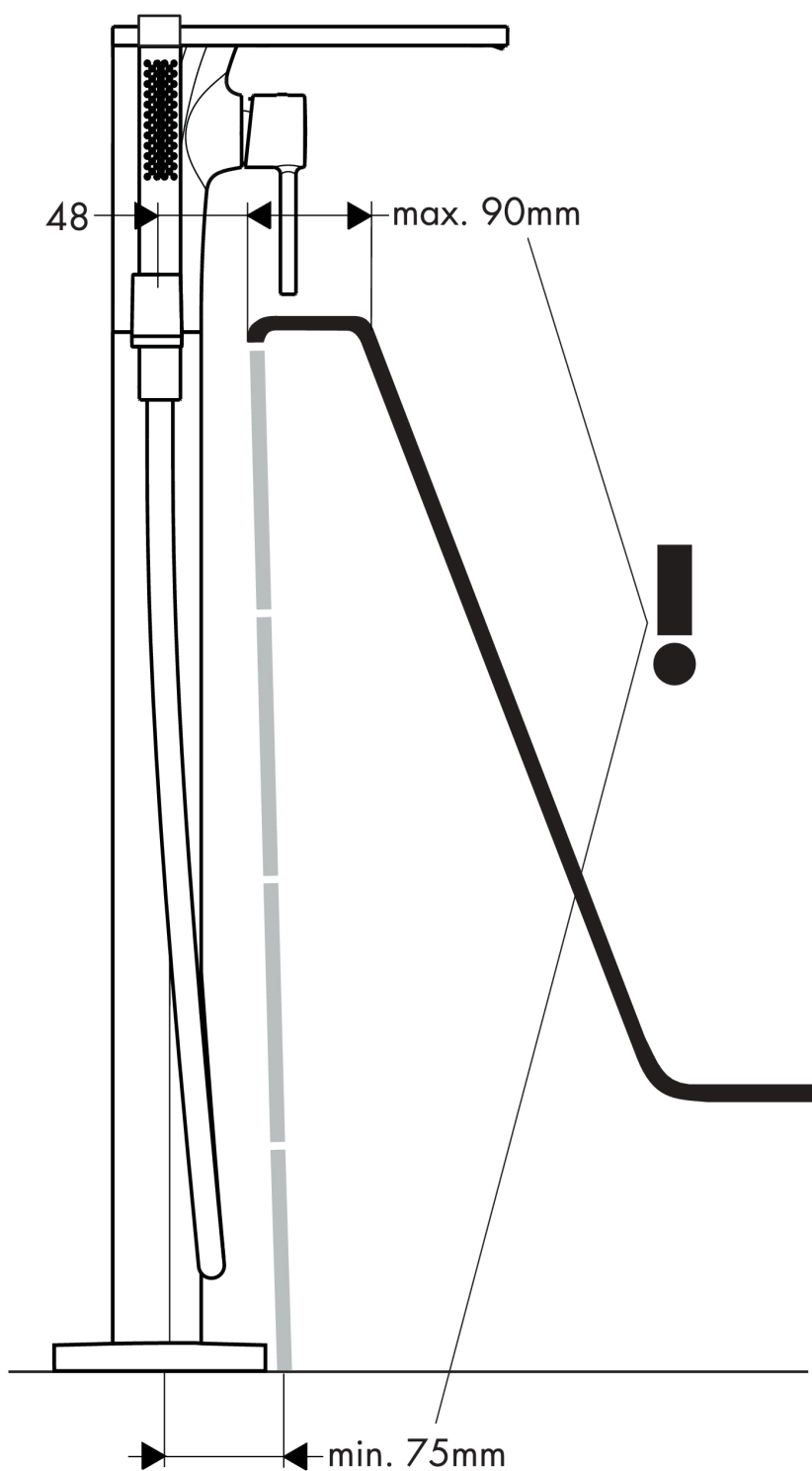
## Flowchart



**AXOR Massaud**  
**Single lever bath mixer floor-standing**  
Surfaces: Article Number: 18450000



## Installation examples

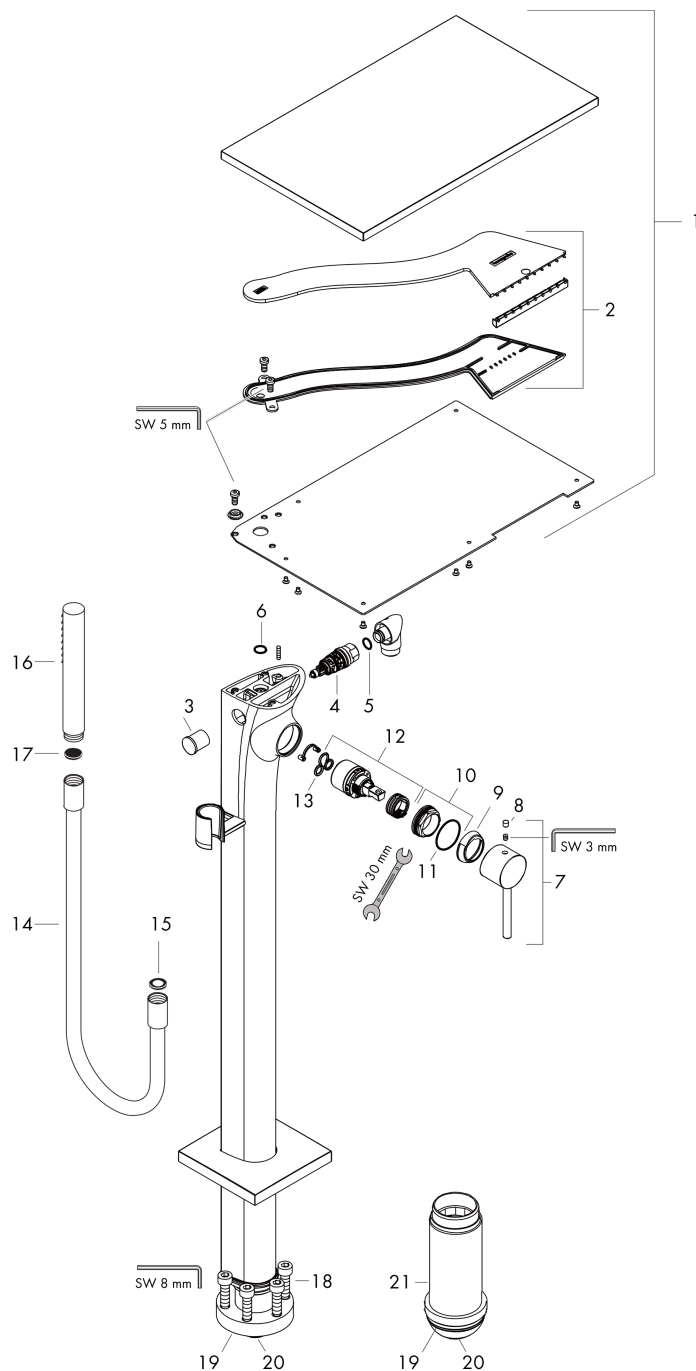


**AXOR Massaud**  
**Single lever bath mixer floor-standing**  
 Surfaces: Article Number: **18450000**



## Exploded Drawing

Year of production: >05/20



**AXOR Massaud**  
**Single lever bath mixer floor-standing**  
 Surfaces: Article Number: **18450000**



## Spare part list

Year of production: >05/20

Pos.		Article Number	PC	PU
1	plate for spout	98704000	23	1
2	spray former	97447000	12	1
3	diverter knob	98705000	12	1
4	selector assy	94077000	9	1
5	O-ring 10x2	98170000	1	1
6	O-ring 12x2	98214000	1	1
7	handle	18493000	13	1
8	screw cover	96762000	1	1
9	flange	96763000	3	1
10	nut	97209000	5	1
11	O-ring 33x2	98154000	1	1
12	cartridge, assy	92730000	11	1
13	seal	95008000	3	1
14	shower hose 1,25 m	28282000	99	1
15	seal	98058000	1	1
16	handshower	28532000	99	1
17	filter packing	94246000	1	1
18	hexagon socket screw M10x35	97670000	5	1
19	O-ring 44x2,5	98162000	2	1
20	O-ring 29x2	98391000	1	1
21	extension set 60 mm	97686000	99	1
a	concealed item	10452180	99	1
b	diverter fixing device	97211000	1	1
c	sealing foil	96441000	16	1
d	spray former (special 8°)	95492000	7	1