

## AXOR Citterio E

### Single lever basin mixer 130 with pin handle and pop-up waste set

Surfaces: Article Number: **36100000**



#### product features

- consists of: single lever basin mixer, waste set
- ComfortZone 130
- projection: 143 mm
- spout height: 126 mm
- spray type: laminar spray
- maximum flow rate at 3 bar: 5 l/min
- ceramic cartridge
- suitable for continuous flow water heaters
- pop-up waste set G 1¼
- connection type: G ¾ connections
- connection dimension: DN15

#### Technology



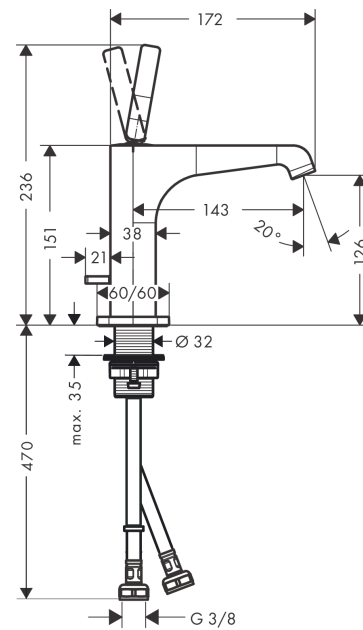
#### Certificates



#### Product image



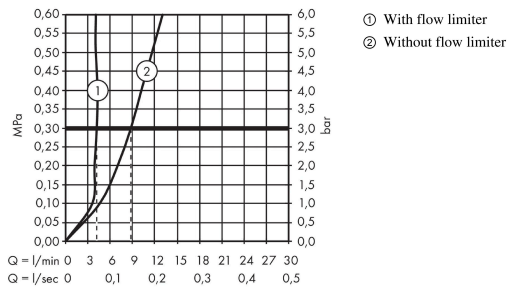
#### Scale drawing



**AXOR Citterio E**  
**Single lever basin mixer 130 with pin handle and pop-up waste set**  
 Surfaces: Article Number: **36100000**



## Flowchart

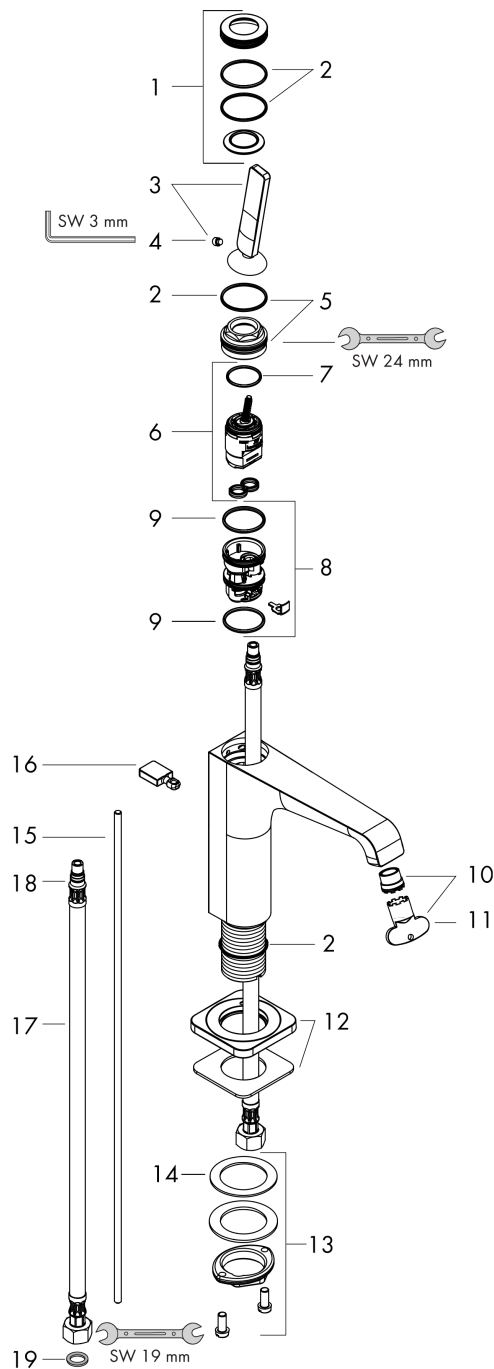


**AXOR Citterio E**  
**Single lever basin mixer 130 with pin handle and pop-up waste set**  
 Surfaces: Article Number: **36100000**



## Exploded Drawing

Year of production: >11/14



## AXOR Citterio E

Single lever basin mixer 130 with pin handle and pop-up waste set

Surfaces: Article Number: **36100000**



### Spare part list

Year of production: >11/14

Pos.		Article Number	Price	PU
1	escutcheon	92188000	€ 58,67	1
2	O-ring 30x1,5	98433000	€ 3,33	1
3	handle	92189000	€ 45,82	1
4	hollow set screw M6x6	97660000	€ 3,33	1
5	nut	95667000	€ 22,97	1
6	cartridge, assy	96339000	€ 72,47	1
7	O-ring 21,95x1,78	95169000	€ 3,33	1
8	adapter for cartridge	95289000	€ 22,97	1
9	O-ring 26x2	98147000	€ 3,33	1
10	aerator laminar M16,5x1 (5 l/min)	95382000	€ 36,89	1
11	special tool	98987000	€ 8,69	1
12	escutcheon	92190000	€ 58,67	1
13	fixing set (Ø 32)	13961000	€ 22,97	1
14	lever collar	97548000	€ 3,33	1
15	pull rod	95128000	€ 45,82	1
16	diverter knob	92197000	€ 22,97	1
17	connection hose 600 mm M8x0,75 G3/8	96556000	€ 22,97	1
18	O-ring 7x1,5	98422000	€ 3,33	1
19	sealing set	95581000	€ 5,36	1
a	fixation extension 35 mm	13898000	€ 72,47	1
b	pop up waste	94139000	-	1