

# TOTO®

# MS389CUMFG

## WASHLET® NJ with Integrated Toilet, 1.0GPF/0.8GPF

### FEATURES

- TORNADO FLUSH® siphon jet flushing system, ultra high-efficiency (1.0GPF/3.8LPF and 0.8GPF/3.0LPF)
- CEFIONTECT® ceramic glaze minimizes debris and mold from sticking to porous, ceramic surfaces
- Auto open/close lid; auto flush
- Multifunction remote control
- Heated seat with temperature control
- WASHLET with three wash modes (front, rear, soft)
- Adjustable spray position
- Oscillating comfort washing
- Built-in air purifying system
- ADA Compliant
- Universal Height

### COMPONENTS

- SN389M - Top Unit
- CT389CUMFG - Elongated Bowl Unit

### OPTIONAL COMPONENTS

- THU9660 - Water Supply Extension Kit (sold separately)

### COLORS/FINISHES

- #01 Cotton

### PRODUCT SPECIFICATION

The WASHLET NJ with the TORNADO FLUSH system toilet shall be 1.0GPF/3.8LPF and 0.8 GPF/3.0 LPF. Toilet shall have CEFIONTECT ceramic glaze. Toilet shall be of skirted design, elongated front bowl with auto open and close seat. Toilet shall be **TOTO Model MS389CUMFG**\_\_\_\_\_.



- 1G 1 Gallon per Flush
- CE TORNADO FLUSH
- CE CEFIONTECT
- U Universal Height

### CODES/STANDARDS

- Meets and exceeds ASME A112.4.2, ASME A112.19.2/CSA B45.1, ASME A112.18.1/CSA B125.1, UL 1431, CSA C22.2 # 68
- Certifications: IAPMO(cUPC), State of Massachusetts, City of Los Angeles and others
- Code Compliance: UPC, IPC, NSPC, and others
- Complies with CA Prop 65 warning requirements
- ADA Compliant



# MS389CUMFG

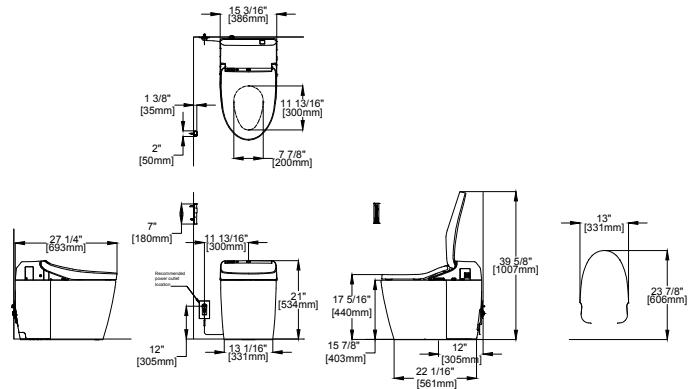
## WASHLET® NJ with Integrated Toilet, 1.0GPF/0.8GPF

### SPECIFICATIONS

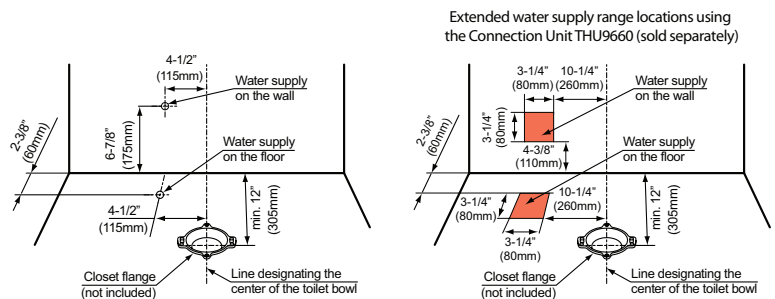
Water Use:	1.0 GPF/3.8 LPF & 0.8 GPF/3.0 LPF
Flush System:	TORNADO FLUSH Siphon Jet
Water Pressure:	Min 7.25 PSI (0.05MPa) Flowing Max 108.75 PSI (0.75MPa) static
Water Surface:	8-3/4" x 7-1/14"
Trap Diameter:	2-1/8" (54 mm)
Rough In:	12" rough in Warning: If there is a base board in the restroom, the center of the floor drain should be a minimum of 12" from the base board.
Trap Seal:	2-1/8" (54 mm)
Warranty:	One Year Limited (Residential) One Year Limited (Commercial)
Material:	Bowl: Vitreous china Seat and cover: Plastic
Shipping Weight:	Top Unit - SN389M 18lbs Bowl Unit - CT389CUMFG 80 lbs
Shipping Dimensions:	SN389M - 30-11/16" x 17-3/4" x 11-5/16" CT389CUMFG - 16-1/2" x 21-1/2" x 29-1/2"

### INSTALLATION NOTES

- For use with potable water only. Do not use with recycled water.



SPECIFIC	Power Rating	120V AC, 60Hz, 1290W
	Power Cord	Maximum length: 3.94ft (120cm)
Water Feature	Water Feature	Adjustable Water Flow Rate
		Rear washing: from .07 to .11 gal/min.
		Soft washing: from .07 to .11 gal/min.
		Front washing: from .08 to .11 gal/min.
Drying Feature	Temperature of Washing Spray	Minimum: 86° F/30° C Maximum: 104° F/40° C
	Safety Features: Thermal fuse	Air Temperature: High: About 140°F (60°C) Low: About 95°F (35°C)
	Capacity of Air:	7.77 ft³/min
Seat Warming Feature	Safety Feature: Thermal fuse	Surface Temperature: Minimum: 95°F (35°C) Maximum: 104°F (40°C)
	Seat Heater Capacity:	50W
Air Purifying Feature	Safety Feature: Thermal fuse	Method: O <sub>2</sub> Deodorizer Air Volume: 5.7 ft³/min
	Ambient Temperature Range	32°F (0°C) to 104°F (40°C)
Weight	Size	15-3/16" x 27 1/4" x 21 1/16"
	Weight	Net: 90 lbs.



These dimensions and specifications are subject to change without notice