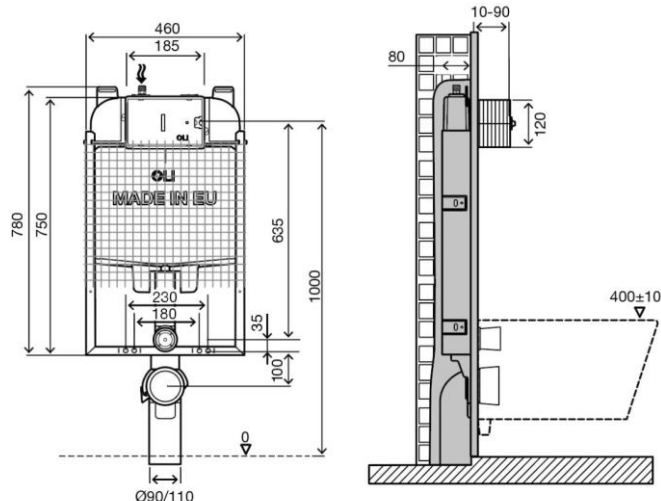


Technical Sheet

OLI74 PLUS



Product Identification

601901

- OLI74 PLUS Mechanic Simflex

Definition and Application

- Preassembled structure for setting in masonry walls, to installation of wall-hung sanitary appliances.
- Compatible with all wall-hung WC pans

Technical Features

Structure

- Metal, galvanized, corrosion resistant

Cistern

- Dual flush of 6/3 litres
- Mechanic actuation
- Working pressure from 0,1 to 16 bar
- Resistance to atmospheric humidity (Hr <90%).
- Polypropylene (PP) cistern highly resistant and inalterable to thermal stress
- Other versions compliant with WRAS/SAI-WATERMARK/UPC/KIWA standards
- EN 14055 marking CL1
- Equipped with Azor Plus Inlet Valve, with delayed refilling (saves up to 9 litres of water per day) and silent according to the NF standard category Class I
- Supplied with anti-condensation lining
- "A" class for the Water Efficiency in compliance with the ANQIP Authority requirements

Accessories

- 1 Flush pipe \varnothing 90 x 250
- 1 Seal for flush pipe \varnothing 125
- 1 Connecting pipe \varnothing 45 x 180
- 1 Pan rubber seal \varnothing 45
- 1 Protective box
- 1 G 1/2" stop valve
- 1 Protection sponge for the stop valve
- 1 Outlet bend \varnothing 90 / 90 L230
- 1 Protection pipe \varnothing 90
- 1 Protection pipe \varnothing 45

Fixing accessories for wall structure:

- 4 Galvanized screws M8x60
- 4 Galvanized washers M8 DIN 9021
- 4 Bushing for metal structure
- 2 Fast Fit fixing

Fixing accessories for toilet bowl mounting on the structure:

- 2 Threaded rods M12
- 2 Protection for threaded rod
- 2 Protection cover
- 2 Toilet centring washer
- 2 Nuts M12
- 2 Washers \varnothing 34

Warranty

Ten (10) years warranty according to the general selling terms, starting from the purchase date of the product.

If the product is not correctly installed the warranty is not valid

Observations

- There are available similar products. For more information please consult our Sanitary Installation Systems catalogue or our site www.oli-world.com